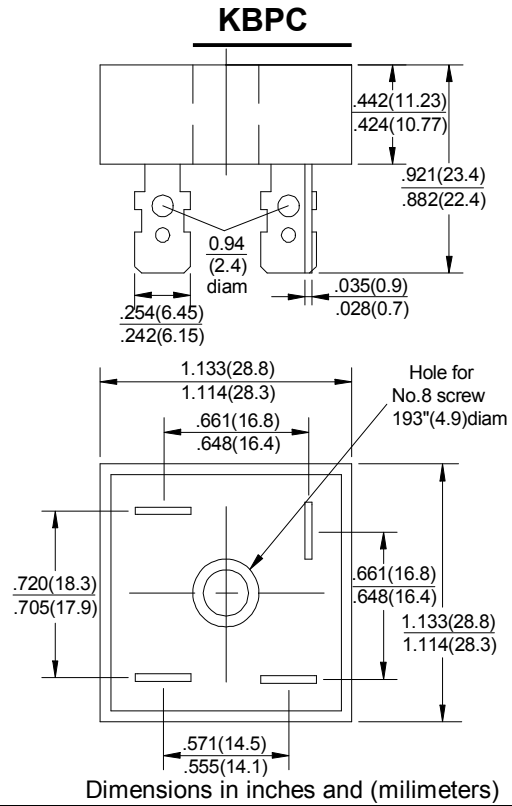


SILICON BRIDGE RECTIFIERS

REVERSE VOLTAGE - 50 to 1000Volts
 FORWARD CURRENT - 10/15/25/35/50 Amperes

FEATURES

- Surge overload -240~500 Amperes peak
- Low forward voltage drop
- Mounting Position : Any
- Electrically isolated base -2000 Volts
- Solderable 0.25" FASTON terminals
- Materials used carries U/L recognition



MAXIMUM RATINGS AND ELECTRICAL CHARACTERISTICS

Rating at 25°C ambient temperature unless otherwise specified.

Resistive or inductive load 60Hz.

For capacitive load current by 20%

| CHARACTERISTICS | SYMBOL | KBPC | KBPC | KBPC | KBPC | KBPC | KBPC | KBPC | UNIT |
|---|-------------------|-------------|------|------|------|------|------|------|------|
| | | 10005 | 1001 | 1002 | 1004 | 1006 | 1008 | 1010 | |
| Maximum Recurrent Peak Reverse Voltage | V _{RRM} | 50 | 100 | 200 | 400 | 600 | 800 | 1000 | V |
| Maximum RMS Bridge Input Voltage | V _{RMS} | 35 | 70 | 140 | 280 | 420 | 560 | 700 | V |
| Maximum Average Forward Rectified Output Current @T _c =55°C | I _(AV) | 10 | 15 | 25 | 35 | 50 | | | A |
| Peak Forward Surge Current 8.3ms Single Half Sine-Wave Super Imposed on Rated Load | I _{FSM} | 240 | 300 | 400 | 400 | 500 | | | A |
| Maximum Forward Voltage Drop Per Element at 5.0/7.5/12.5/17.5/25.0A Peak | V _F | 1.1 | | | | | | | V |
| Maximum Reverse Current at Rate DC Blocking Voltage Per Element @T _A =25°C | I _R | 10 | | | | | | | μA |
| Operating Temperature Range | T _J | -55 to +125 | | | | | | | °C |
| Storage Temperature Range | T _{STG} | -55 to +125 | | | | | | | °C |

NOTES: Also available on KBPC 10W/15W/25W/35W/50W series.

RATING AND CHARACTERISTIC CURVES

KBPC10/15/25/35/50A SERIES

FIG.1-MAXIMUM FORWARD SURGE CURRENT

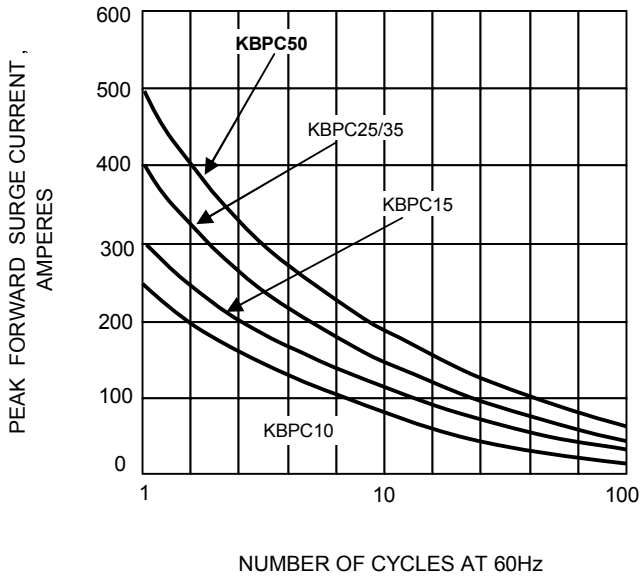


FIG.2- DERATING CURVE
OUTPUT RECTIFIED CURRENT

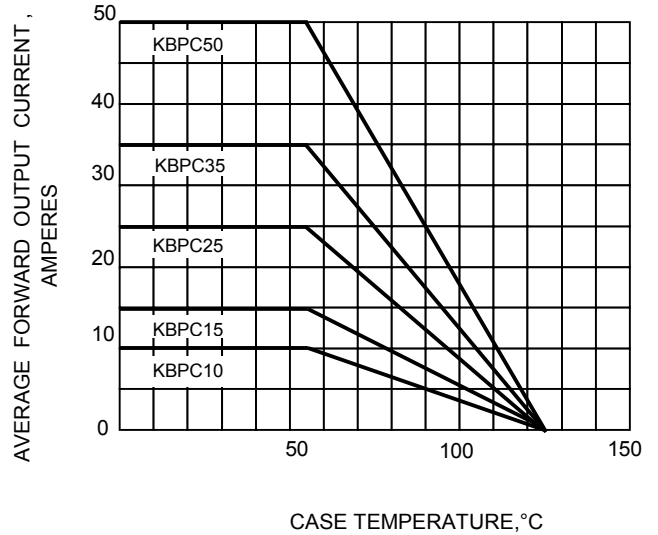


FIG.3-TYPICAL FORWARD CHARACTERISTICS

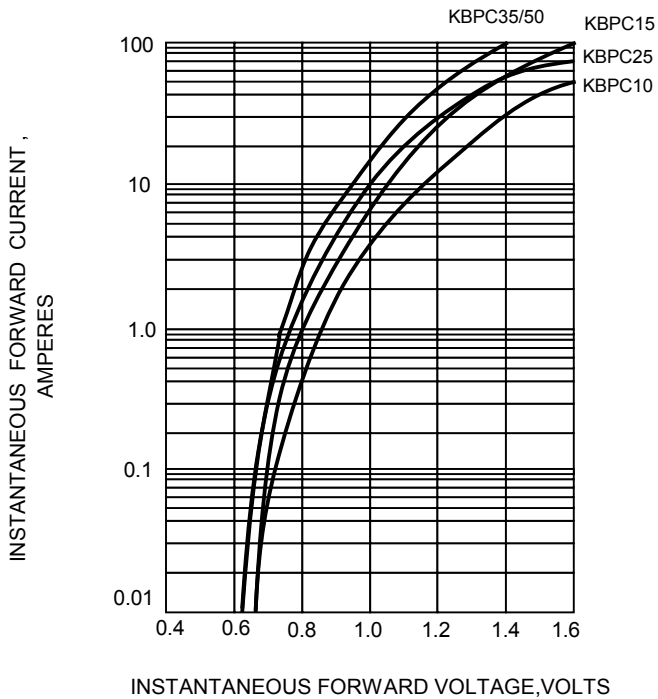


FIG.4-TYPICAL REVERSE CHARACTERISTICS

