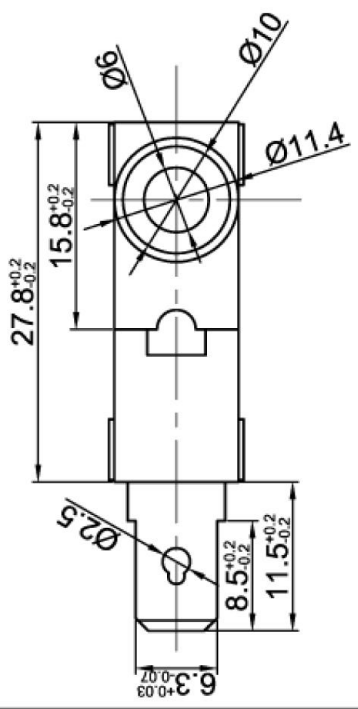


SPECIFICATION

1. RATING: 16A 125/250VAC T105 UL C-UL
16(4)A 250VAC T125 IE4 ENEC SEMKO
2. CIRCUIT: (ON) -OFF SPST 2P
3. CONTACT RESISTANCE: 30m OHMS Max
4. INSULATION RESISTANCE: DC500V 100M OHMS Min
5. WITHSTAND VOLTAGE: AC 1500V 1 Minute
6. ELECTRICAL LIFE: 10000 Cycles at Full Load
7. OPERATION FORCE: 250 ± 40gf
8. OPERATION END FORCE : 1200 ± 100gf
9. OPERATION TEMPERATURE RANGE: -25 ~ +105 ° C

MATERIALS

1. PLASTIC: PBT G30 UL 94V-0
2. TERMINAL: Copper Alloy Sn or Ag plated
3. CONTACTOR: AgSnO₂In₂O₃(10) / Cu



www.electronicambajadores.com		IT41R15	
TITLE	MICRO SWITCH	SERIES	IT41....
VIEWS TYPE		FUNCTION	(ON) -OFF
		DRAWING NUMBER	