

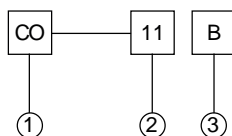


Toggle Switch

Features

- The current has 10A and 15A
- Movement way has fixed type and auto-return type (both single-throw and double-throw can return).
- The terminal block has screw terminal and solder terminal(tab terminal also can be used)
- Rainproof cap, water-proof and oil-proof, it is suitable for full series products.
- Mounting hole: ϕ 12mm

Model designations



Ratings

Load	Type	AC Rating	DC Rating
Resistance Load	CO	10A 250V 15A 125V	0.4A 250V 0.8A 125V
	C5	15A 250V 20A 125V	0.5A 250V 0.9A 125V
Inductive Load	CO	10A 250V 15A 250V	0.2A 250V 0.4A 125V
	C5	15A 250V 20A 125V	0.3A 250V 0.5A 125V 15A
Lamp Load	CO	300W 100V 500W 200V	30V
	C5	400W 125V 800W 250V	-
Motor Load	CO	200W 125V 300W 250V	7A 30V
	C5	400W 125V(single phase)	
	CO	550W 250V(three phase)	-
	C5	750W 250V(three phase)	

Characteristic

Contact resistance	15M Ω max. (initial)
Insulation resistance	100M Ω above (under 500VDC)
Dielectric strength	2000VAC, 50/60Hz for 1 minute
Vibration	10 to 55Hz, 1.5mm double amplitude
Ambient temperature	-25 $^{\circ}$ C to +80 $^{\circ}$ C
Humidity	85%RH max.
Life	Mechanical: 500,000 operations min.
	Electrical: 100,000 operations min.

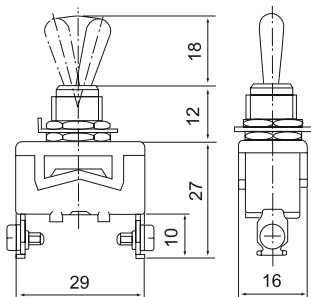
Designation	Signal	Description
Type	CO	10A 250VAC
	COR	10A 250VAC Spring return
	C5	15A 250VAC
	C5R	15A 250VAC Spring return
Contact	11	Single pole single throw ON-OFF
	12	Single pole double throw ON-ON
	13	Single pole double throw(central OFF) ON-OFF-ON
	131	Single pole double throw(central OFF single return) ON-OFF-ON
	21	Double pole single throw ON-OFF
	22	Double pole double throw ON-ON
	23	Double pole double throw(central OFF) ON-OFF-ON
	231	Double pole double throw(central OFFsingle return) ON-OFF-ON
Terminal	A	Tab terminal
	B	Screw terminal
	C	Solder terminal

Nameplate

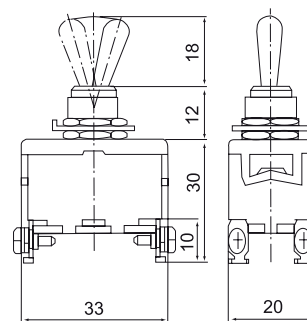


Appearance and dimension

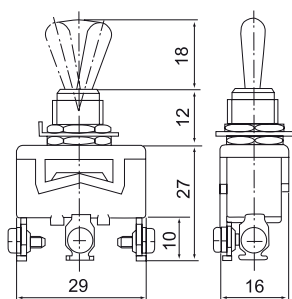
C011B C511B C0R11B C5R11B



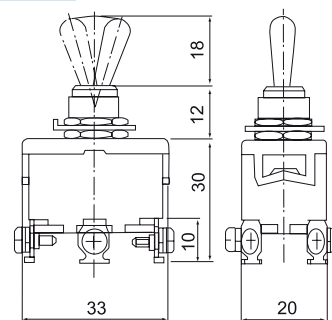
C021B C521B C0R21B C5R21B



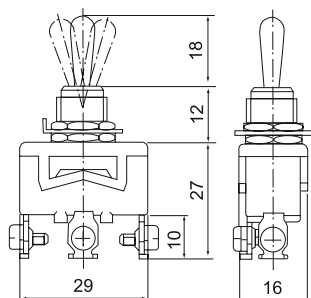
C012B C512B C0R12B C5R12B



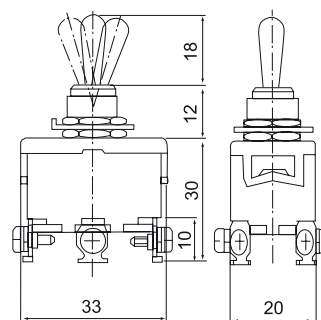
C022B C522B C0R22B C5R22B



C013B C513B C0R13B C5R13B

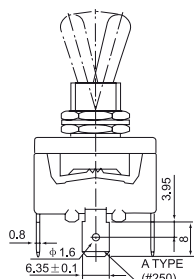


C023B C523B C0R23B C5R23B

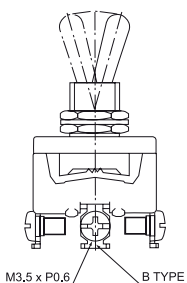


Terminal Type

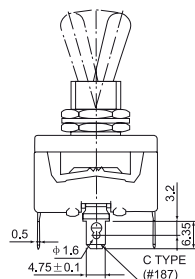
Tab terminal



Screw terminal



Solder terminal



Rainproof cap (Tow)

