



## Approval & Compliance



## Features

Rated current : 6A

Small size, easy to install

It has the characteristics of strong anti-interference and high performance

Can be customized upon request

## Applications

Animation entertainment equipment

Small and medium machine

All kinds of fitness equipment

All kinds of automatic control equipment

Portable electrical and electronic equipment

## Product information

# IEC Socket type power filter - FIEC003

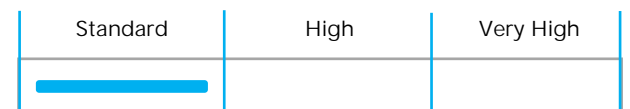
## Description

Small size, easy to install, can be customized, with strong anti-interference, high-performance features Point, AC power socket input, 6.3x0.8mm chip output connection, with protection Fuse and socket integrated design.

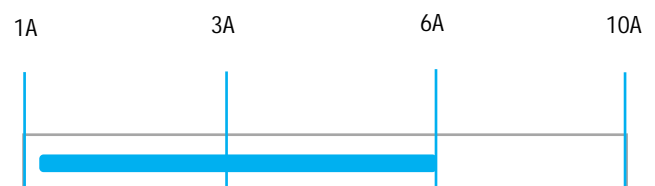
## Technical Data

Rated Voltage	115/250VAC
Line Frequency	50/60Hz
Test Voltage	1500VDC (Line/Line) 2150VAC (Line/ground)
Insulation Resistance	>50M @500VDC
Temperature Rise	<30
Climatic Category	25/085/21
Housing Material	Nickel-plated iron

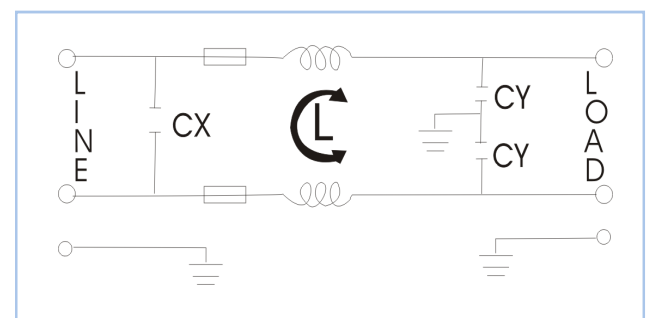
## Performance Indicator



## Rated Current [A]

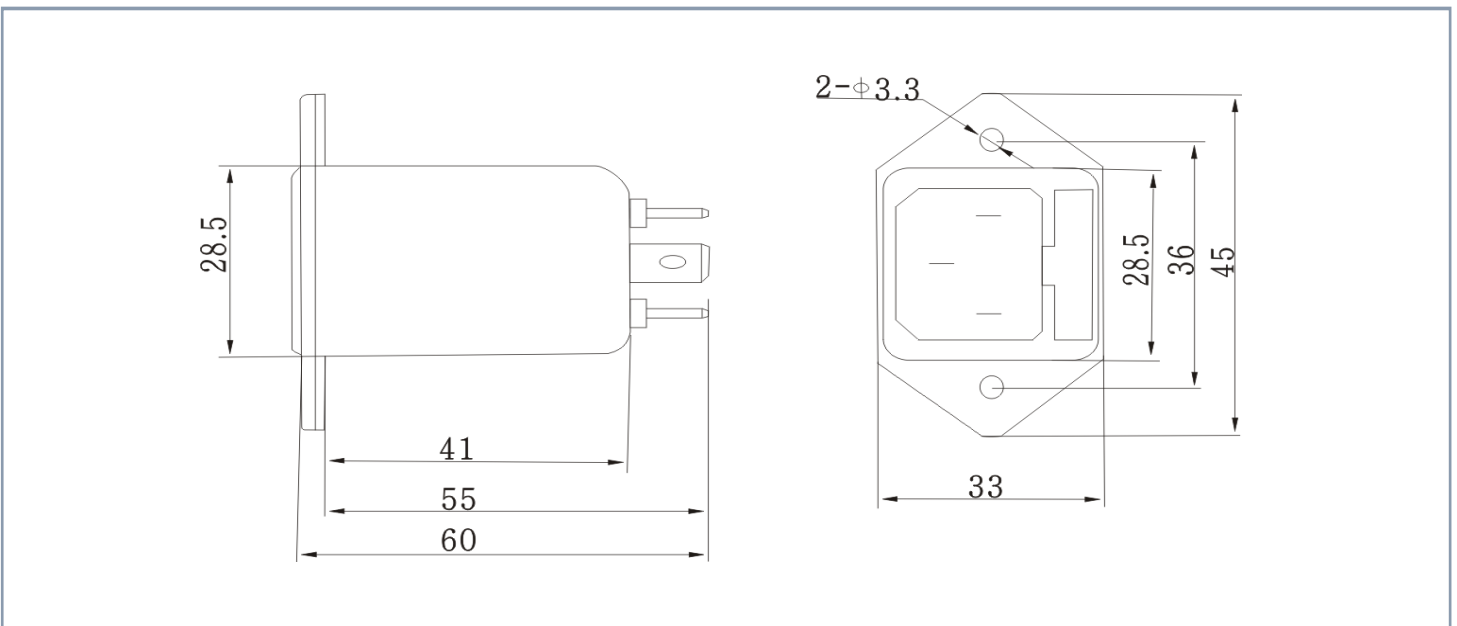


## Typical Circuit Diagram



Part No	Rated Current	Rated Current	Case Type	Termination		Safety Certification	Remark
				Input	Output		
FIEC003	6A	<0.5mA	I2	Socket	Terminal	cUL, CE, ROHS	Parameter customization

### Overall Dimension ( ±1mm)



## Insertion loss -(common mode)

