

Approval & Compliance



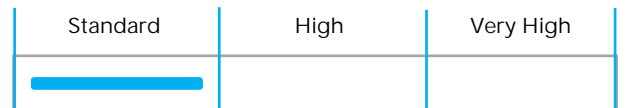
Features

- Rated current : 25A
- Strong anti-jamming
- Low frequency performance is good, can be used for high current equipment
- Can be customized upon request

Applications

- Switching power supply
- Power equipment such as UPS
- Power monitoring equipment
- Measuring equipment

Performance Indicator



Product information

Three-phase three-wire AC filter-FIBA055

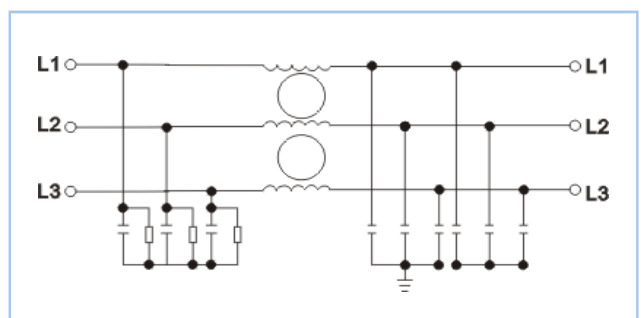
Description

Simple installation, bolt connection, customizable, single-pole filter circuit design, strong anti-interference, good low frequency performance, can be used for high current equipment.

Technical Data

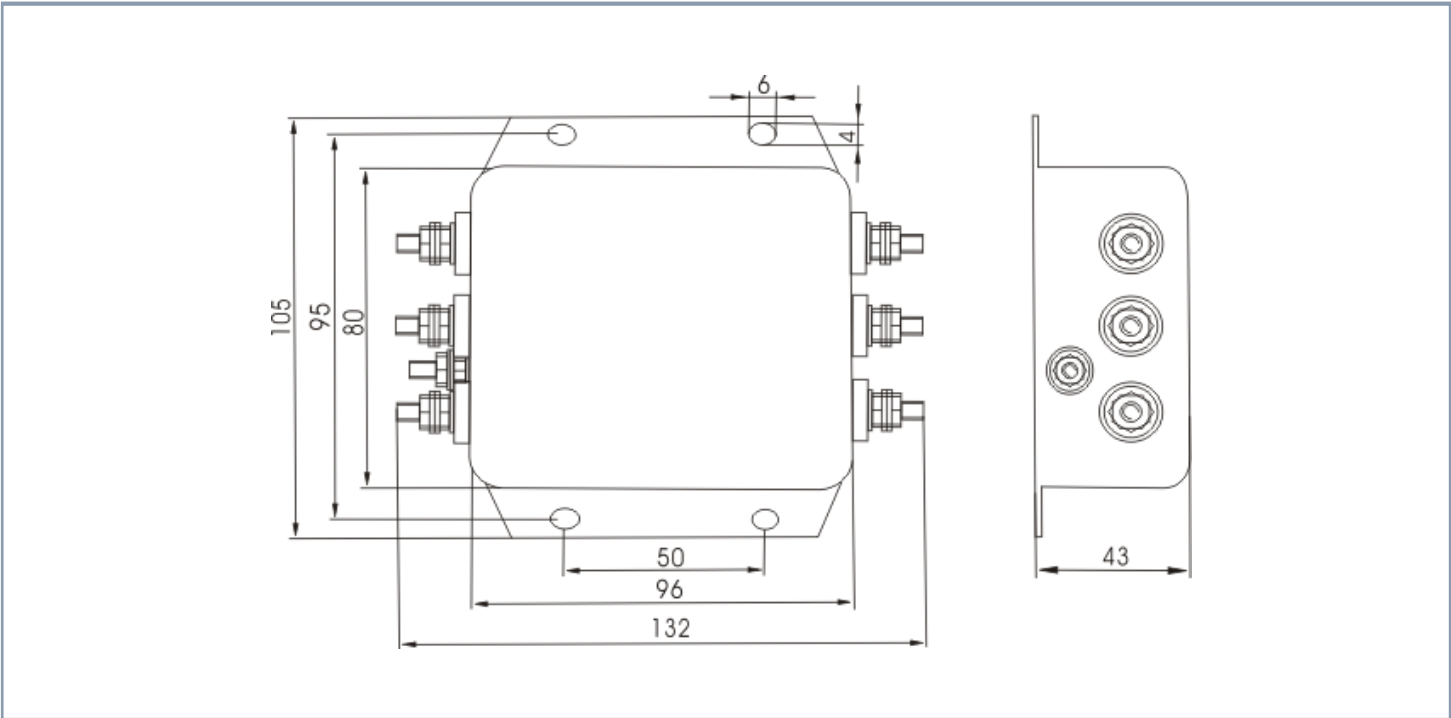
Rated Voltage	380/440VAC
Line Frequency	50/60Hz
Test Voltage	1500VDC(line/line) 2750VAC(line/ground)
Insulation Resistance	>50M @500VDC
Temperature Rise	<30
Climatic Category	25/085/21
Housing Material	Nickel-plated iron

Typical Circuit Diagram



Part No	Rated Current	Rated Current	Case Type	Termination		Safety Certification	Remark
				Input	Output		
FIBA055	25A	<2.0mA	C3	Bolt	Bolt	CE, ROHS	Parameter customization

Overall Dimension (±1mm)



Insertion loss -(common mode)

