

Tous droits strictement réservés. Reproduction ou communication à des tiers sans autorisation écrite du propriétaire.  
 FC CONNECT, BERG ELECTRONICS, INC.  
 Droits de reproduction: BERG ELECTRONICS by

All rights strictly reserved. Reproduction or issue to third parties in any form without written authority from the proprietor.  
 FC CONNECT, BERG ELECTRONICS, INC.  
 Copyright BERG ELECTRONICS by

PRODUCT NUMBER	NUMBER OF POS.	DIM A	DIM B	DIM C	DIM D	DIM E	DIM F	DIM G	LOADED POSITION	HOUSING COLOR	PRODUCT FIGURE	PLATING CODE X	PLATING
87180-X44/-X44LF/-X44HLF	4	3.05	3.81	7.62	11.20	3.05	5.50	7.87	ALL POS.	BLACK	FIGURE 1	0	30u" G.X.T.
87180-X42/-X42LF/-X42HLF									2,3				
87180-X66/-X66LF/-X66HLF	6	5.08	6.35	10.16	13.20	4.06	6.60	9.90	ALL POS.	BLACK	FIGURE 1	1	15u" AU
87180-X64/-X64LF/-X64HLF									2,3,4,5				
87180-X64A/-X64ALF/-X64AHLF									1,2,5,6				
87180-X62/-X62LF/-X62HLF									3,4				
87180-X88/-X88LF/-X88HLF	8	7.11	8.89	11.43	15.24	4.06	6.30	11.94	ALL POS.	BLACK	FIGURE 2	2	20u" GFPD
87180-X88E/-X88ELF									ALL POS.				
87180-X86/-X86LF/-X86HLF									2,3,4,5,6,7				
87180-X84/-X84LF/-X84HLF									3,4,5,6				
87180-X84A/-X84ALF/-X84AHLF									1,4,5,8				
87180-X84B/-X84BLF/-X84BHLF									1,2,3,6				
87180-X84C/-X84CLF/-X84CHLF									1,2,7,8				
87180-X88G/-X88GLF									ALL POS.				
87180-X84GSLF/-X84GSHLF	3,4,5,6	GREY											

OBSOLETE

LEAD FREE PRODUCT NO.  
 MEETS PIP PROCESS PRODUCT NO.

NOTE 7 BERG MFG SLTE CODE

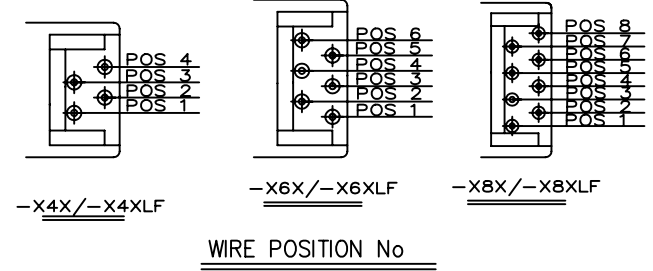
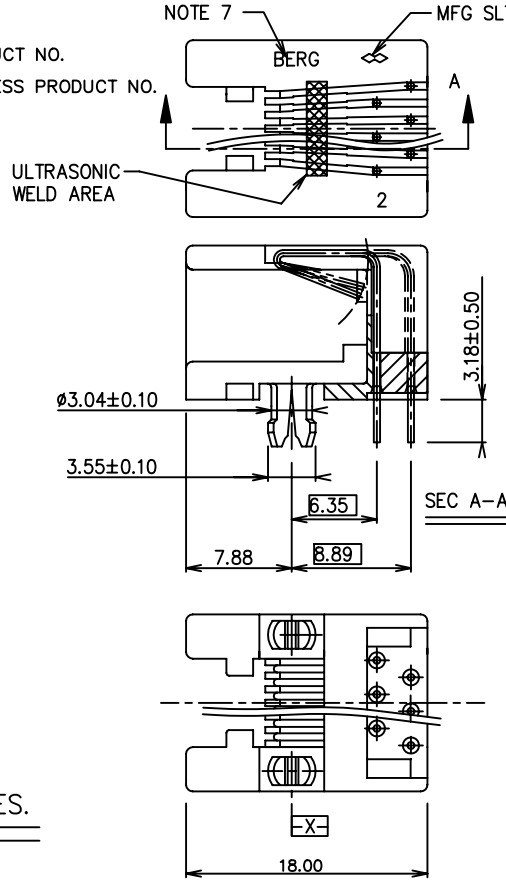
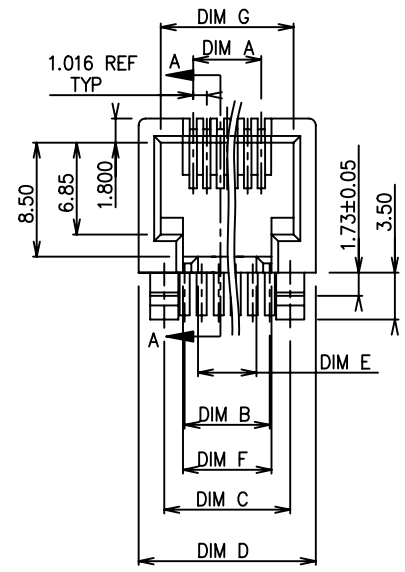


FIGURE 1 - 4 & 6 POS. TYPES.

mat'l code		tolerance unless otherwise specified		CUSTOMER COPY		FC CONNECT www.fcconnect.com	
rev. AC	ecn N08-0170	dr SH	date 09/25/08	linear	.00 ± 0.25	projection	title LOW PROFILE PCB III HORZ MOD JACK, FOR 1.6MM P.C.B.
V	T03-0373	WL	09/05/03		.000 ± 0.13		
W	T04-0300	WL	07/08/04	angles	± 2°		product family MOD JACK
X	T04-0325	RC	07/16/04	dr	KCHOU	10/19/93	
Y	N05-0019	YS	01/27/05	enr	TONY CHIEN	10/19/93	NT
AA	N06-0043	DT	02/20/06	chr	TONY CHIEN	10/19/93	sheet
AB	N08-0097	SH	08/13/08	appd	JENN TSAO	10/19/93	1 OF 2
sheet	revisor AA	Y					
index	sheet	1	2				

Tous droits strictement réservés. Reproduction ou communication a des tiers int sous quelque forme que ce soit sans autorisation écrite du propriétaire. Property of c BERG ELECTRONICS. Droits de reproduction BERG ELECTRONICS by



All rights strictly reserved. Reproduction or issue to third parties in any for whatever is not permitted without written authority from the proprietor. Copyright BERG ELECTRONICS by

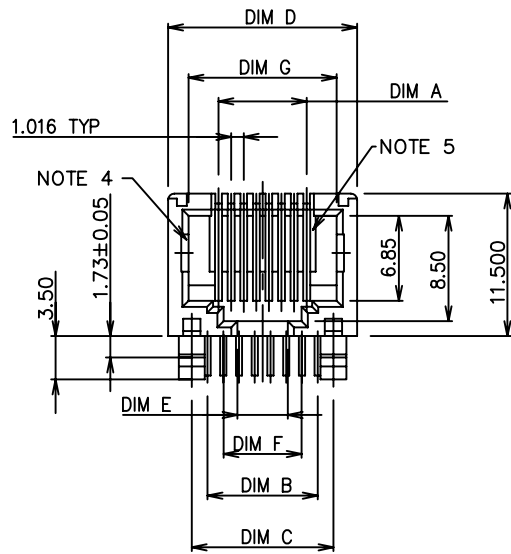
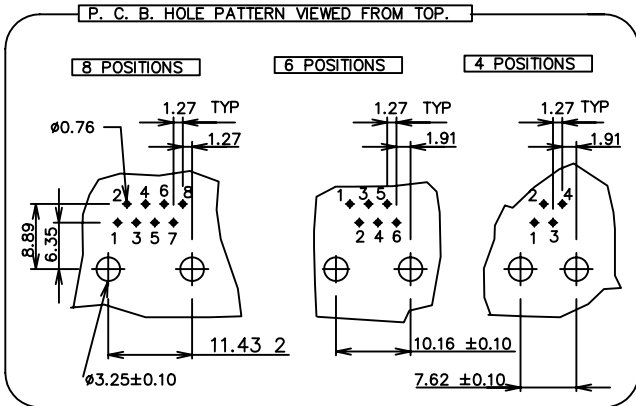
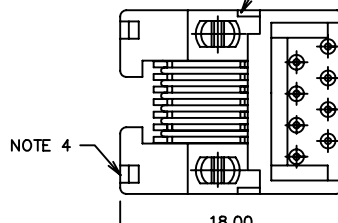
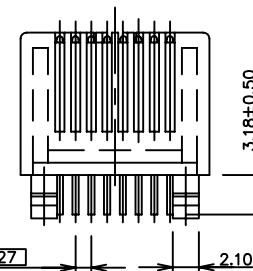
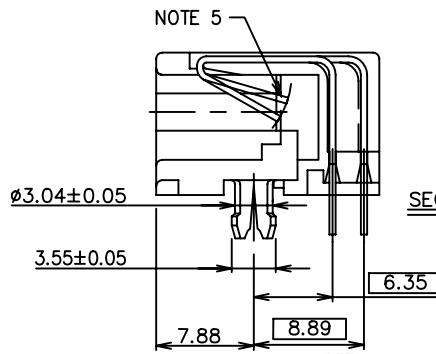
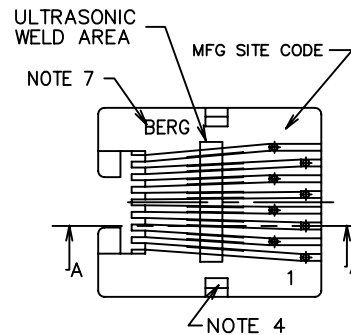


FIGURE 2- 8 POS TYPE.



NOTES:

1. RECOMMENDED P.C.B THICKNESS 1.60 MM
2. HOUSING MAT'L: NYLON 6/6, 25% GLASS REINFORCED, UL94-V0, COLOR : SEE TABLE.
3. CONTACTS: PHOS BRONZE ALLOY UNS-C51000, 0.460DIA. ROUND WIRE. PLATING SEE TABLE.
- ④ APPEARS ON 8 POS TYPE (P/N 87180-X8X) ONLY.
- ⑤ PROTRUDED SHELF ONLY APPEARS ON 8-POS JACK.
6. STANDARD PACKAGING METHOD(USE TUBE): SEE GES-14-361.
- ⑦ COMPANY LOGO CAN BE "BERG" OR "DU PONT", AND WOULD APPEAR IN THE SAME SHIPMENT UNLESS LOGO SPEC HEREIN IS UPDATED.
8. THE PRODUCT MEETS EUROPEAN UNION DIRECTIVES AND OTHER COUNTRY REGULATIONS AS DESCRIBED IN GS-22-008.
9. THE HOUSING WILL WITHSTAND EXPOSURE TO 260°C PEAK TEMPERATURE FOR 10 SECONDS IN A WAVE SOLDER APPLICATION WITH A 1.60mm MINIMUM THICK CIRCUIT BOARD.
10. IF LF P/N PACKAGING MEETS GS-14-920 SPECIFICATION.
- ⑩ EQUIVALENT THICKNESS Au AND GXT PLATING HAVE SAME FUNCTION AND THEY ARE ALTERNATIVE BY THE CUSTOEMR .

mat'l code		tolerance unless otherwise specified		CUSTOMER COPY	FCJ www.fcjconnect.com	
rev.	ecn no.	dr	date	linear	.0 ± 0.25	projection
AC					.00 ± 0.13	
				angles	.000 ± 0.05	
					± 2°	
		dr	KCHOU 10/19/93	unit	mm/inch	title
		engr	TONY CHIEN 10/19/93	scale	1:1	LOW PROFILE PCB III HORZ
		chr	TONY CHIEN 10/19/93	size	A3	MOD JACK, FOR 1.6MM P.C.B.
		appd	JENN TSAO 10/19/93	product family	87180	code
sheet	revisor			dwg no.		TWN
index	sheet			sheet	2 OF	