

**SPECIFICATION**

**1.General Characteristics:**

T-Flash Connector 08 Pin SMT 90° Standoff=0  
Normal Push Push Type Front Solder Tail Gold Plated XXu" Tape&Reel 1K/Reel

**2.Material&Finish**

Housing:LCP(UL94V-0),Black  
Contact:Phosphor Bronze  
Selective Gold Plated  
Grounding:Phosphor Bronze,Gole Plated  
Shell:Stainless Steel,Nickel Plated

**3.Electrical Characteristics:**

Current Rating:0.5A AC/DC Max.  
Voltage Rating:250V AC/DC  
Insulation Resistance:Initial:1000 Megaohms Min.  
Dielectric Withstanding Voltage:500V AC RMS  
After Test:100 Megaohms Min.  
At DC 500V For 5 Sec.  
Contact Resistance:Initial:100 Milliohms Max.  
After Test:140 Milliohms Max.

**4.Environmental Characteristics:**

Operating Temperature Range:-20°C~+85°C  
Storage Temperature Range:-40°C~+70°C  
Ambient Humidity Range:95%R.H. Max.

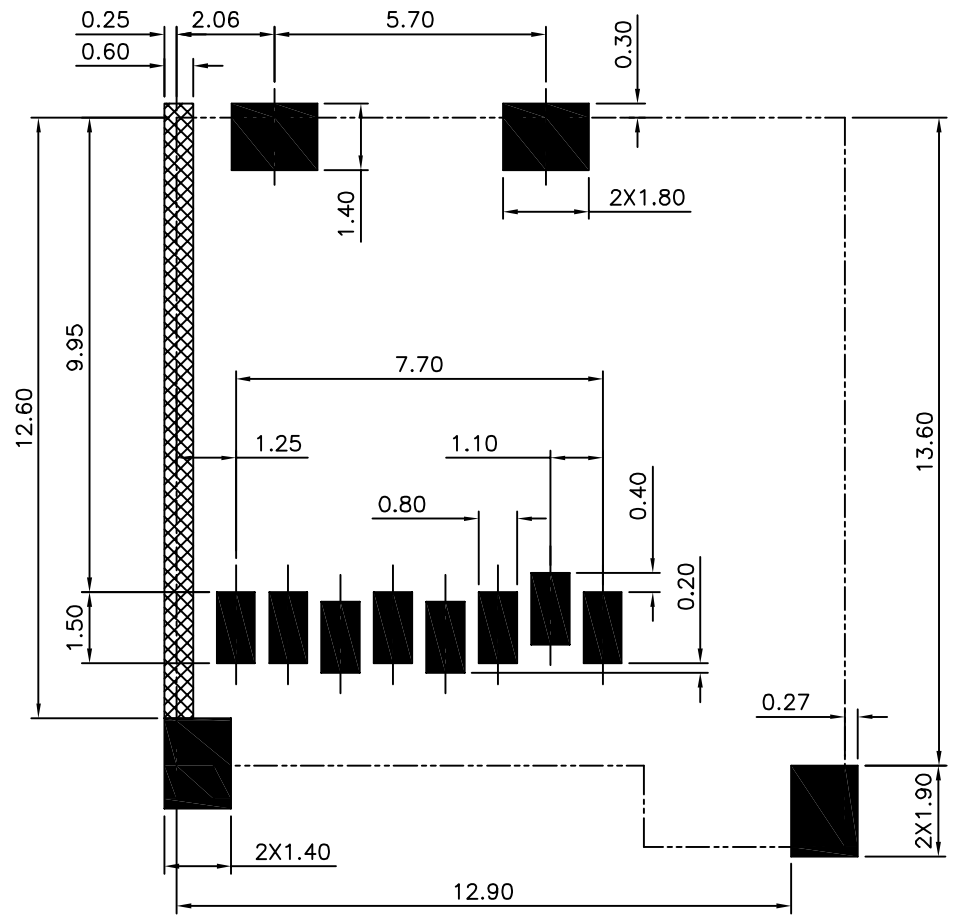
**5.Mechanical Characteristics:**

Contact Retention Force:0.98N Min./Per Pin  
Card Insertion Force:13.8N Max.  
Card Withdrawal Force:13.8N Max.  
Push Strength:19.6N

**6.RoHS Compliant**

**4UCON** 元化興業股份有限公司  
4UCON TECHNOLOGY INC.

DRAWING No.		APPROVED BY		UNLESS OTHERWISE SPECIFIED TOLERANCES ARE					
15882		MEI		X. ±0.25 X.* ±8°		△ B3	Modify Data	HZF	05/07/2011
		CHECKED BY		.X ±0.15 .X* ±4°		△ B2	Modify Data	HZF	12/31/2009
		DRAWING BY		.XX ±0.10 .XX* ±2°		△ B1	Modify Data	HZF	02/24/2009
		WSS		UNIT		△ B0	NEW RELEASE	HZF	09/09/2008
SCALE	NONE	REV.	B3	mm		NO.REV.	REVISIONS	CHK	DATE



△ Recommended P.C.B. Layout  
(All Tolerance Are ±0.05)

- ▨ Position To Avoid Air
- Pad Area
- - - Shape Region

Pin No.		Pin No.	
P1	DAT2	P7	DAT0
P2	CD\DAT3	P8	DAT1 <sup>2</sup>
P3	CMD	P9	GND
P4	VDD	P10	
P5	CLK	P11	CD
P6	VSS	P12	

**4UCON** 元化興業股份有限公司  
4UCON TECHNOLOGY INC.

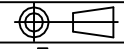
DRAWING No.  
15882

APPROVED BY MEI  
CHECKED BY HZF  
DRAWING BY WSS

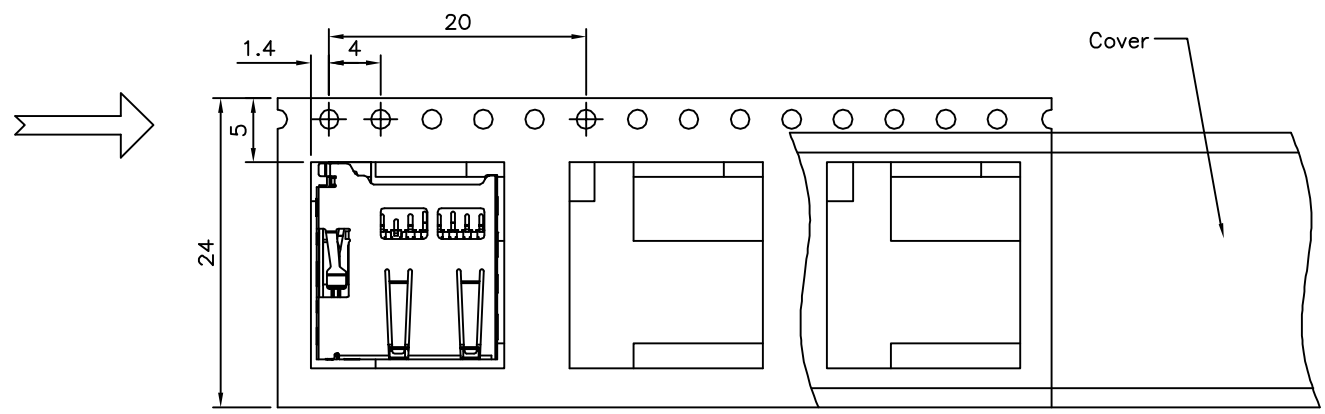
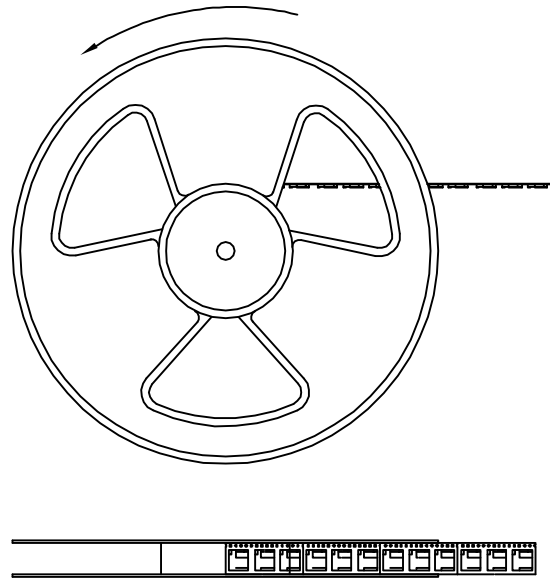
UNLESS OTHERWISE SPECIFIED TOLERANCES ARE  
X. ±0.25 X.\* ±8\*  
.X ±0.15 .X\* ±4\*  
.XX ±0.10 .XX\* ±2\*

SCALE NONE REV. B3

NO.	REV.	REVISIONS	CHK	DATE
△ B3		Modify Data	HZF	05/07/2011
△ B2		Modify Data	HZF	12/31/2009
△ B1		Modify Data	HZF	02/24/2009
△ B0		NEW RELEASE	HZF	09/09/2008



SPECIFICATION  
 Q'ty:1000 PCS/Reel  
 RoHS Compliant



**4UCON** 元化興業股份有限公司  
 4UCON TECHNOLOGY INC.

DRAWING No.  
 15882

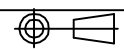
APPROVED BY MEI  
 CHECKED BY HZF  
 DRAWING BY WSS

UNLESS OTHERWISE SPECIFIED TOLERANCES ARE  
 X. ±0.25 X.\* ±8\*  
 .X ±0.15 .X\* ±4\*  
 .XX ±0.10 .XX\* ±2\*  
 UNIT mm

NO.	REV.	REVISIONS	CHK	DATE
△	B3	Modify Data	HZF	05/07/2011
△	B2	Modify Data	HZF	12/31/2009
△	B1	Modify Data	HZF	02/24/2009
△	B0	NEW RELEASE	HZF	09/09/2008

SCALE NONE

REV. B3



NO. REV. REVISIONS CHK DATE