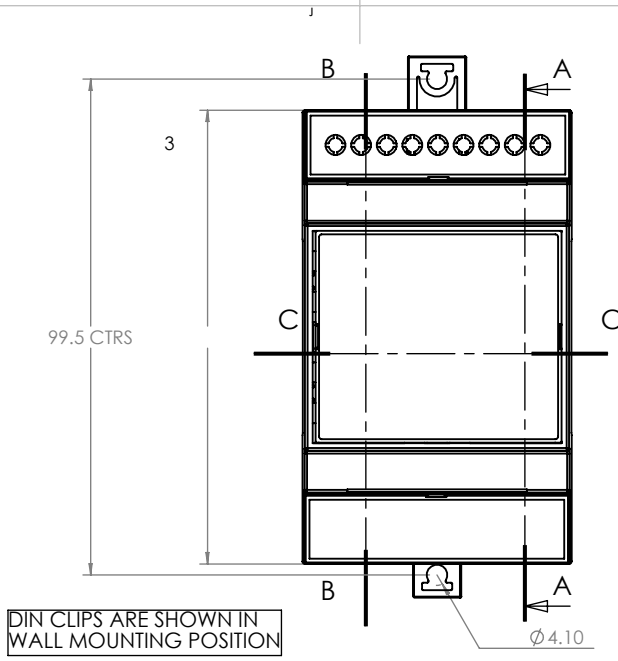
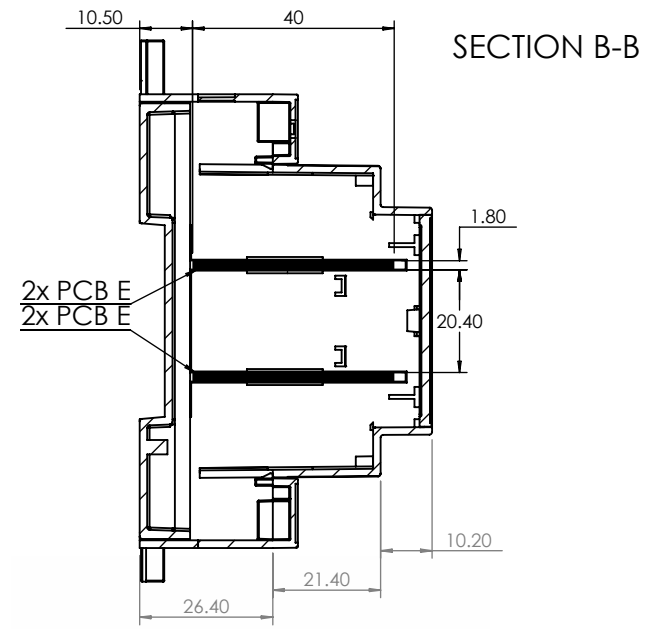


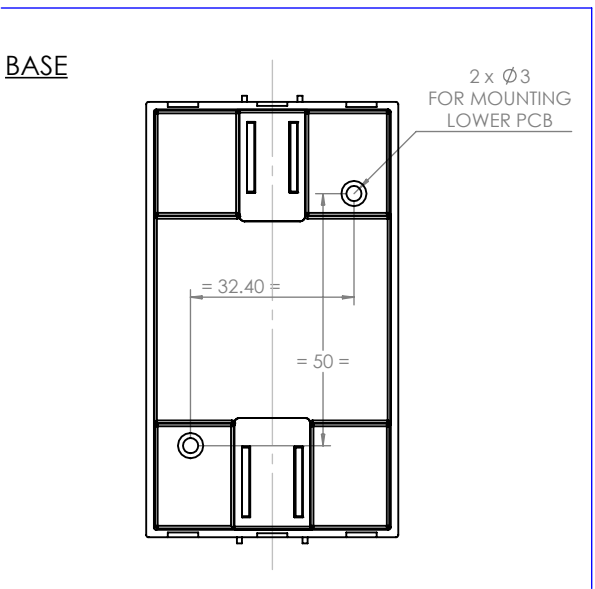
SECTION A-A



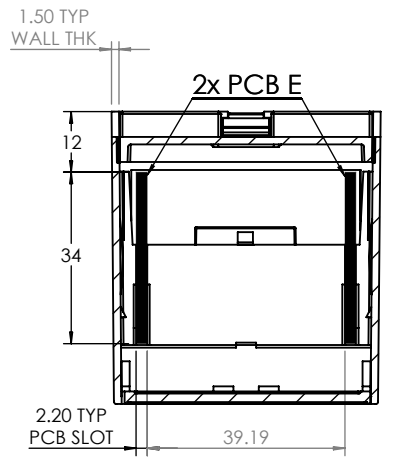
DIN CLIPS ARE SHOWN IN WALL MOUNTING POSITION



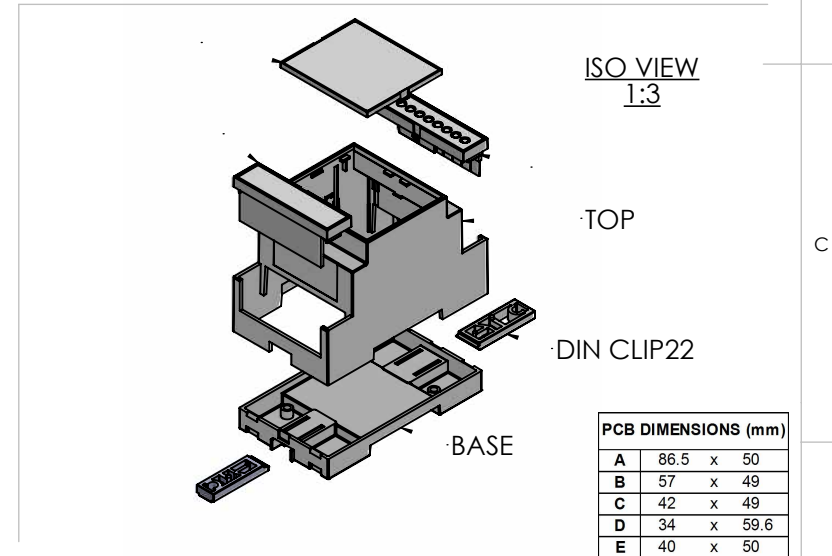
SECTION B-B



BASE



SECTION C-C



ISO VIEW  
1:3

TOP

DIN CLIP22

BASE

PCB DIMENSIONS (mm)		
A	86.5	x 50
B	57	x 49
C	42	x 49
D	34	x 59.6
E	40	x 50

UNLESS OTHERWISE SPECIFIED: DIMENSIONS ARE IN MILLIMETERS				DO NOT SCALE DRAWING		REVISION: 0	
FINISH: SMOOTH				TITLE: <b>CJCA803</b>			
MATERIAL: UL94-VO PC				DWG NO.		A4	
DRAWN	NAME	SIGNED	DATE	SCALE: 1:2		SHEET 1 OF 1	
CHK'D			11/01/13				