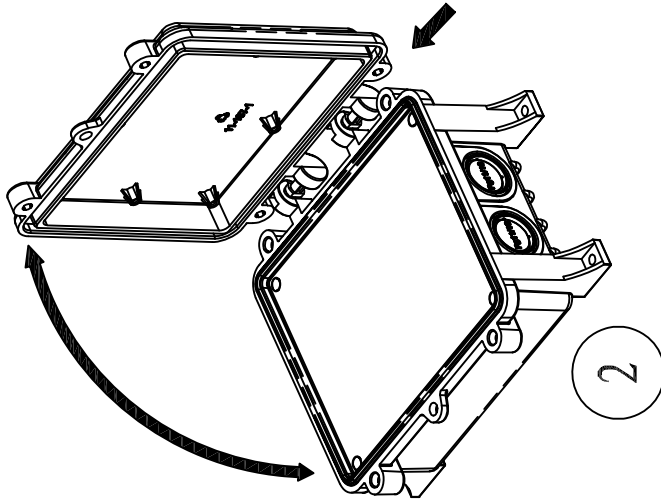
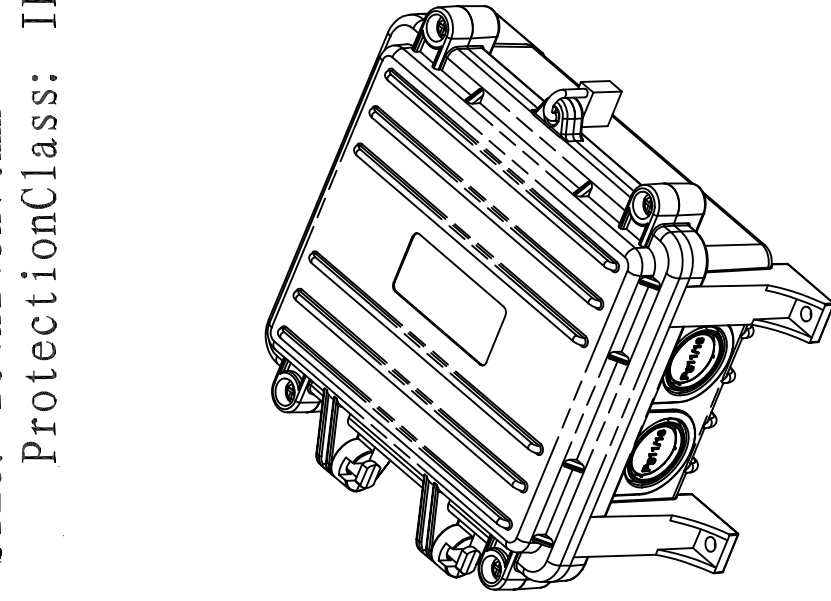


(Installation instructions)

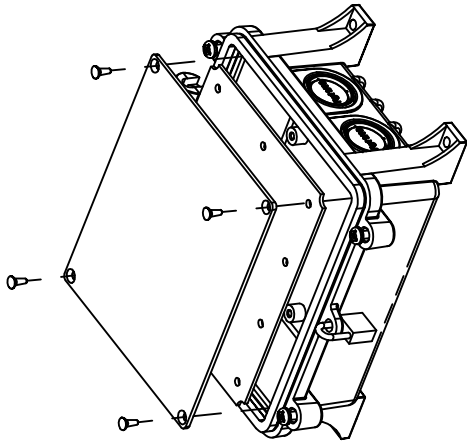
Code: CJ41D01

Size: 164x148x70mm

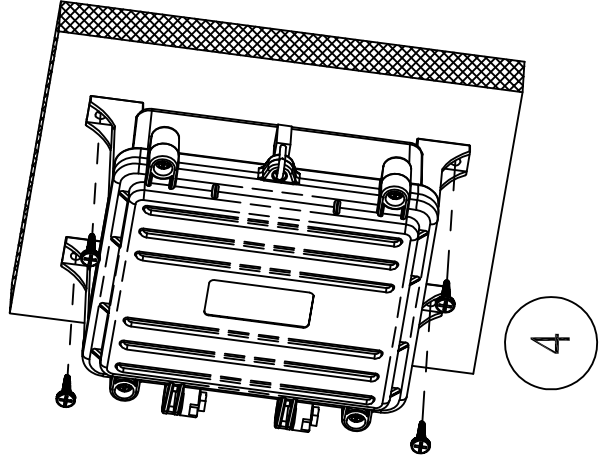
ProtectionClass: IP65



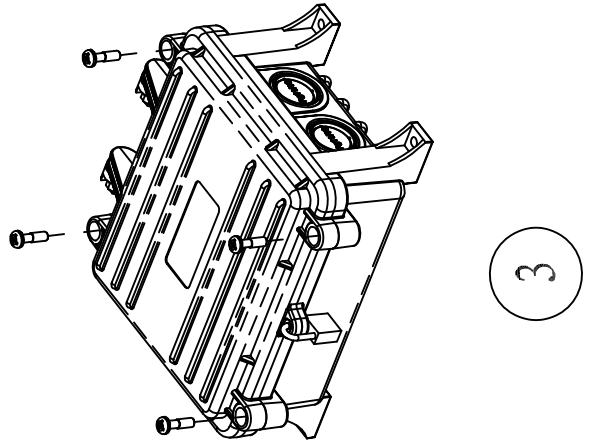
2



1



4



3