



House amplifiers Apartment amplifiers

- built-in adjustable gain regulators
- die-cast housing inside plastic case
- built-in power supply

AS036
amplifier with two outputs

AS038
amplifier with four outputs

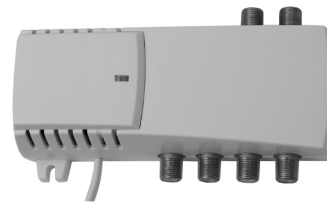
AS036R65
amplifier with two outputs;
with passive return path from output #1

AS038R65
amplifier with four outputs;
with passive return path from output #1

AS039
amplifier with two outputs

AS039R65
amplifier with two outputs;
with passive return path

CABRIOLINE

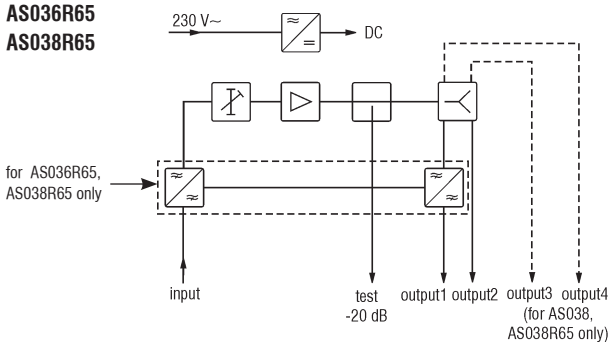


Technical specifications

T Y P E	AS036	AS036R65	AS038	AS038R65	AS039	AS039R65
Ordering number	02510	02511	02512	02513	02514	02515
Forward path						
Frequency range	47-862 MHz	87-862 MHz	47-862 MHz	87-862 MHz	47-862 MHz	87-862 MHz
Outputs number	2		4		2	
Gain	19 dB/47 MHz; 23 dB/862 MHz		16 dB/47 MHz; 20 dB/862 MHz		16 dB/47 MHz*; 20 dB/862 MHz*	
Gain adjustment	0 ÷ -16 dB				0 ÷ -12 dB	
Maximal output level IMD3=60 dB (DIN45004B)	103 dBμV		100 dBμV		100 dBμV*	
Input and output return loss	>10 dB				-	
Noise figure	< 5 dB				< 6 dB	
Test point attenuation	-20 dB				-	
Outputs decoupling	> 16 dB				-	
Return path						
Frequency range	-	5 - 65 MHz	-	5-65 MHz	-	5-65 MHz
Gain	-	-2 dB	-	-2 dB	-	-5 dB*
Return loss	-	> 14 dB	-	> 14 dB	-	> 12 dB*
General						
Power consumption	230 V~ 50 Hz 3 W					
Operating temperature range	-20° ÷ +50° C					
Dimensions/Weight (packed)	133x63x39 mm/0.36 kg		133x73x39 mm/0.36 kg		133x63x39 mm/0.36 kg	

* when loaded other symmetrical output

AS036
AS038
AS036R65
AS038R65



AS039
AS039R65

