

**1** START

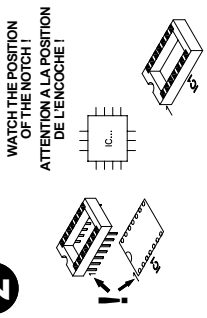
◇ R1 ... R6 : 82  
◇ R7, R8 : 47K

Resistor - Weerstand - Resistance - Resistancia - Måstand - Vastus - Resistence

(Grey, Red, Black) - (Grijs, Rood, Zwart) - (Gris, Rouge, Noir) - (Grau, Rot, Schwarz) - (Grå, Röd, Svart) - (Harmaa, Punainen, Musta) - (Gris, Rojo, Negro) - (Cinzento, Encarnado, Preto) - (Grigio, Rosso, Nero)

(Yellow, Purple, Orange) - (Geel, Paars, Oranje) - (Jaune, Violet, Orange) - (Gelb, Violet, Orange) - (Gul, Lila, Orange) - (Keltainen, Purppura, Oranssi) - (Amarillo, Morado, Naranja) - (Amarelo, Violeta, Laranja) - (Giallo, Viola, Aranciato)

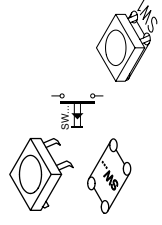
**2** IC SOCKET



WATCH THE POSITION OF THE NOTCH!  
ATTENTION A LA POSITION DE L'ENCOUCHE!

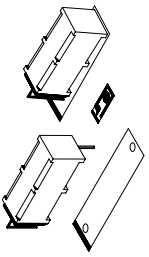
◇ IC1 : 14p

**3** PUSH BUTTON



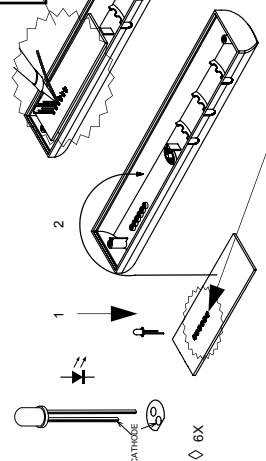
◇ SW1 : KRS1243

**4** ROLLBALL SWITCH



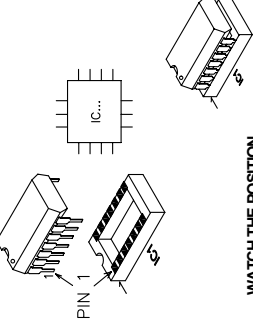
◇ SW2 : MERS3

**5** LED'S



Watch the polarity!  
Attention à la polarité!

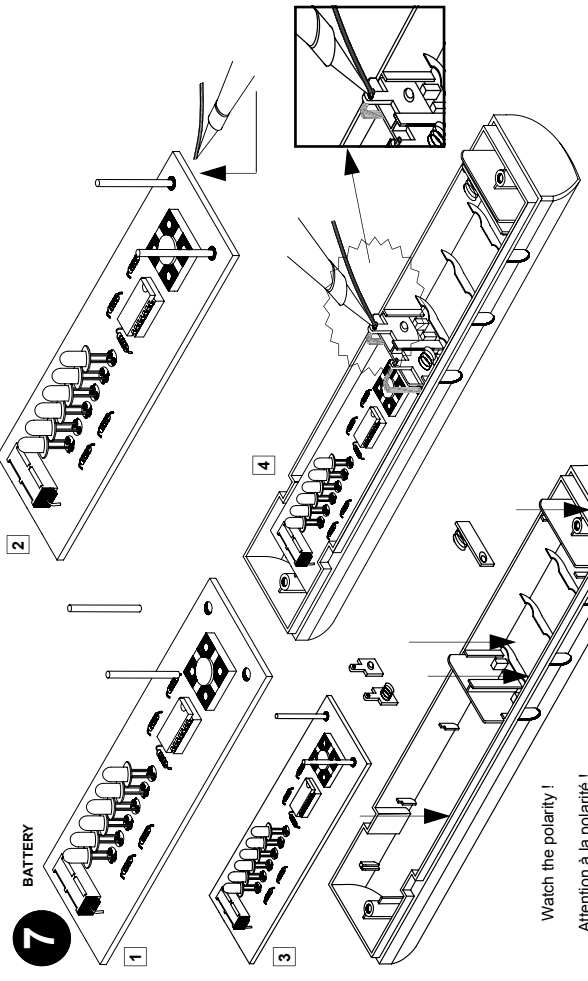
**6** IC



WATCH THE POSITION OF THE NOTCH!  
ATTENTION A LA POSITION DE L'ENCOUCHE!

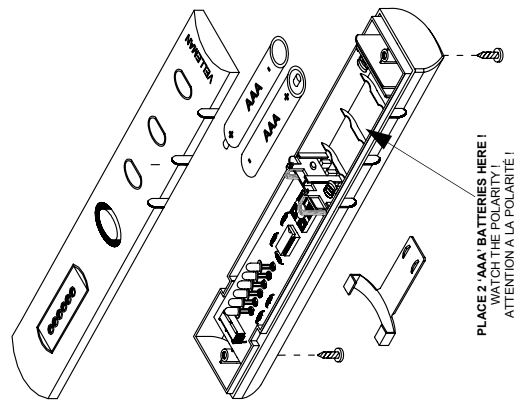
◇ IC1 : PIC16C505-20

**7** BATTERY



Watch the polarity!  
Attention à la polarité!

**8** FINAL ASSEMBLY



PLACE 2 AAA BATTERIES HERE!  
ATTENTION A LA POLARITE!

