

SPECIFICATIONS SHEET

PRODUCT TYPE : MAGNETIC BUZZER

PRODUCT SERIES : DB-E28

DESCRIPTION : MT BUZZER DUAL 6VDC L/W ABS SP RoHS

COLOR : BLACK

ELECTRICAL SPECIFICATIONS

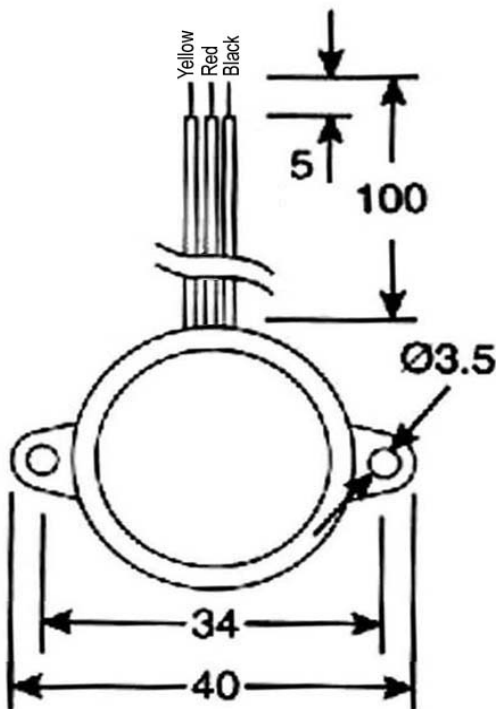
MODEL NO.		2D3060LF - LA
OPERATING VOLTAGE RANGE	(VDC)	4.0 ~ 9.0
RATED VOLTAGE	(VDC)	6.0
* MAX. RATED CURRENT	(mA)	35.0 / 10.0
* MIN. SOUND OUTPUT	(dBA / 30 cm)	85.0 / 70.0
* FREQUENCY	(Hz)	2800 200
TONE NATURE		SINGLE / PULSE
OPERATING TEMPERATURE	(° C)	- 20 ~ + 60
TERMINAL		LEADWIRE (UL1007 , AWG#28)
HOUSING MATERIAL		ABS
WEIGHT	(g)	10.0

* Value applying at rated voltage

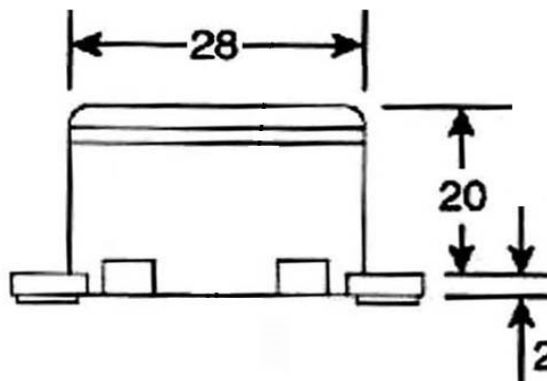
DIMENSIONS

UNIT : mm

TOP VIEW



SIDE VIEW



Approved By : 
Date : 31-Mar.-2006



Prepared By : 
Date : 31-Mar.-2006



Modify :	Date :	By :

