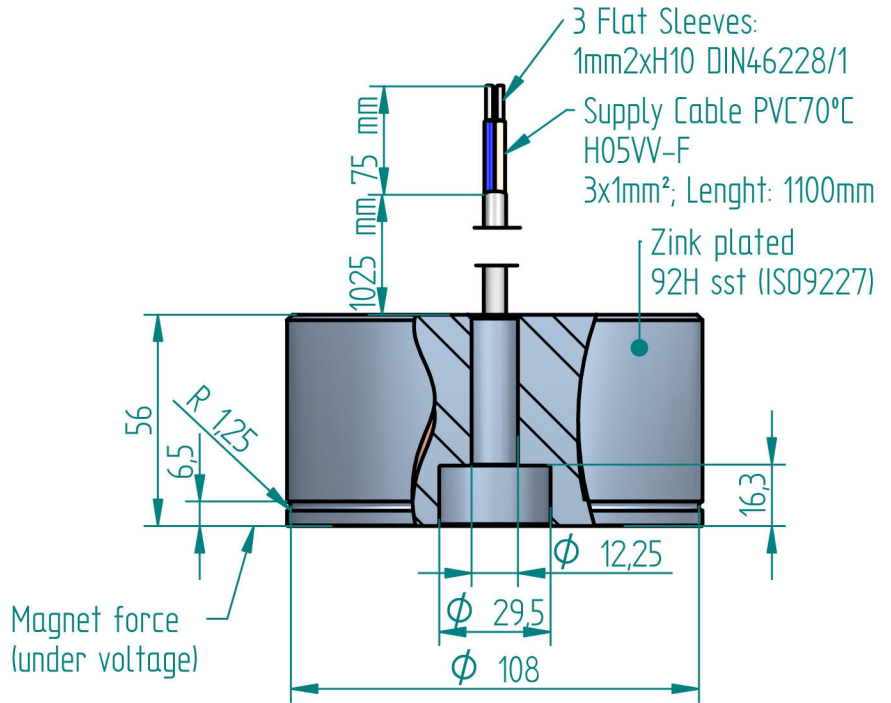


Revisions			
Rev	Description	Date	Approved

TECHNICAL DATA:

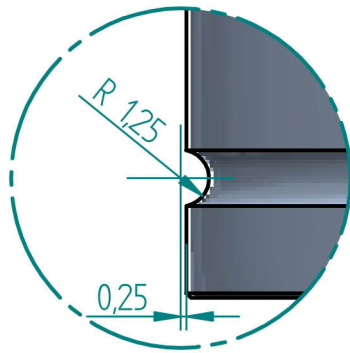
Nominal voltage: 50VDC
 Duty-cycle (ED): 100%
 Abs. power at 20°C: 56W
 Protection rate: IP65



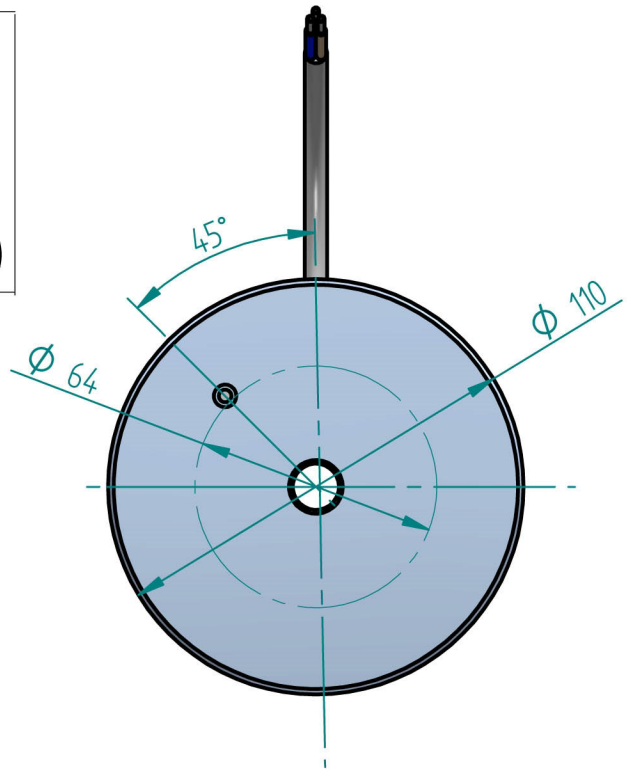
Holding force measurement:

- 250kp (50VDC; Airgap= 0mm)
- 145kp (134VDC; Airgap= 10mm)

(Plate: Material=St37 Thickness=10mm Airgap=0mm)



A



	Name	Date			
Drawn	O.Otiñano	2017-12-12			
Approved	A.Zuberogoitia	2017-12-12			
Coating			Title Holding electromagnet		
Unless otherwise indications dimensions on millimeters, angles in degrees, tolerances $\pm 0,1$ y $\pm 10'$ Beveled edge 0,3x45° Rugosity: Ra1,6			A4	IMELT92	
			Material:		Rev
			Scale 1:1	Weight 2,9kg	Sheet 1 of 1