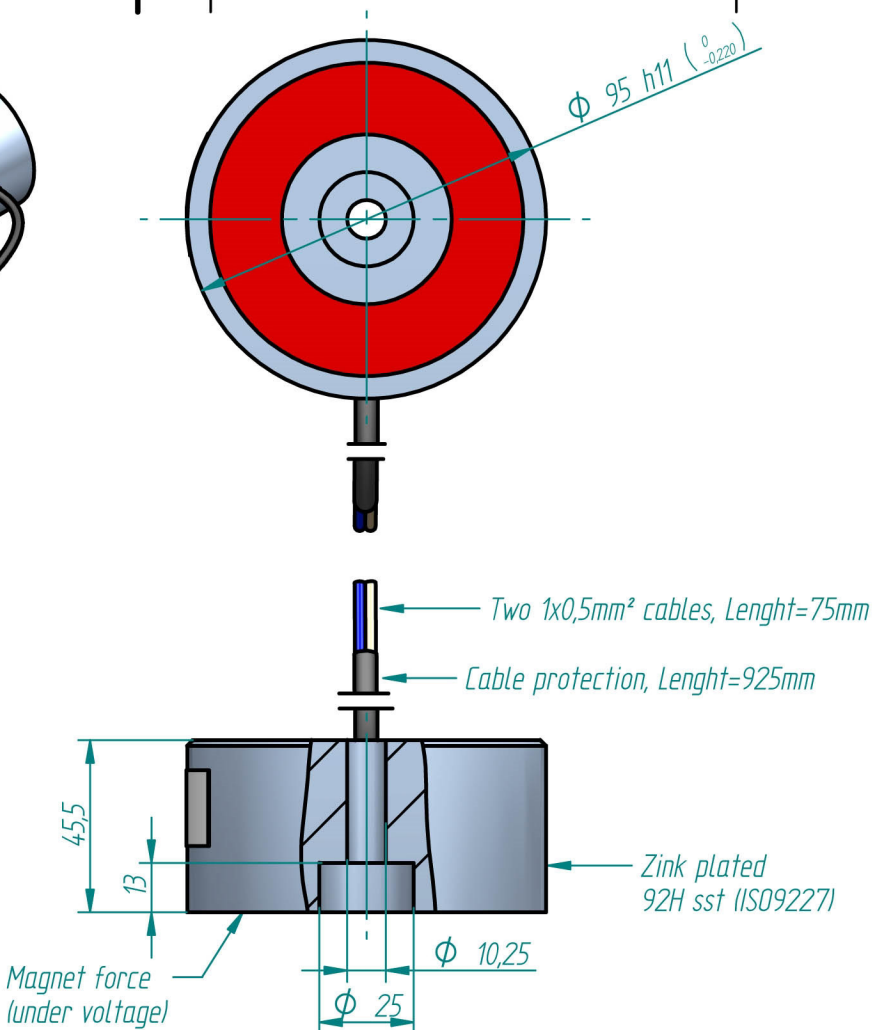


1:5

Revisions			
Rev	Description	Date	Approved



Voltage: 50Vdc (48Vdc typ)
Duty cycle (ED) : 100%
Power at 20°C: 51,3W
Protection rate: IP65
Holding force measurement:
 - 246.8 kp (50VDC Airgap= 0mm)
 - 161.4 kp (134VDC Airgap= 1mm)
 (Plate: Material=St37 Thickness=10mm Airgap=0mm)

	Name	Date			
Drawn	D.Montejo	13/06/2005			
Checked	A.Zuberogoitia	13/06/2005			
Approved			Title		
Coating			Datasheet		
Unless otherwise indications dimensions on millimeters, angles in degrees, tolerances $\pm 0,1$ y $\pm 10'$ Beveled edge 0,3x45° Rugosity: Ra1,6			A4	IMELT90	Rev
			Material:		
			Scale 1:2	Weight 2,4 Kg	Sheet 1 of 1