

CCTV Camera

CM12233



Features

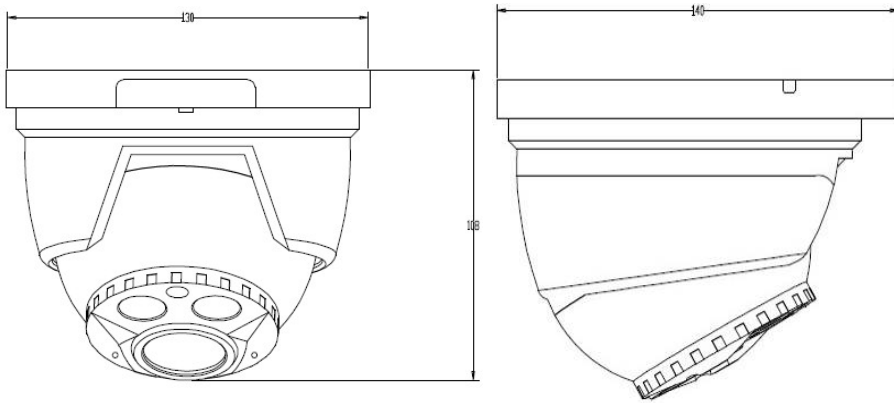
- ◆ Vandalproof Array IR Camera
- ◆ 25/30fps@1080P(TVI) Color Camera
- ◆ 1/3" SONY 2.0 Megapixel CMOS Sensor
- ◆ 2 pcs* Array IR-LED, IR Range 50M
- ◆ Built-in 2.8-12mm Manual zoom ICR Lens



Specifications

Model Name	CM12233
Image Device	1/3" SONY 2.0 Megapixel CMOS Sensor
CMOS Sensor	IMX322
DSP Device	FH8531+TP2801
Picture Elements	1920(H)×1080(V) , 1080P
Min. Illumination	0.01Lux
TV System	PAL/NTSC
Lens Furnished	2.8-12mm Manual zoom ICR Lens
Infrared Luminary	2 pcs* Array IR-LED
Illuminate Distance	50 M
Wavelength	850 nm
Waterproofing Criterion	IP 66
S/N Ratio	More than 80dB
Electronic Shutter	AUTO/1/50(1/60)-1/100,000sec
Day/Night	Auto(ICR)/B&W/Color
Sync. System	Internal
Video Output	1 Vp-p / 75 Ohms
Power Supply	DC12V±10%
Operation Temperature	-30℃ ~ +70℃ RH95% Max
Dimension	130x108 mm
Weight	1000g

■ Size Chart



Design and specifications are subject to change without notice.