

CM12208



Features

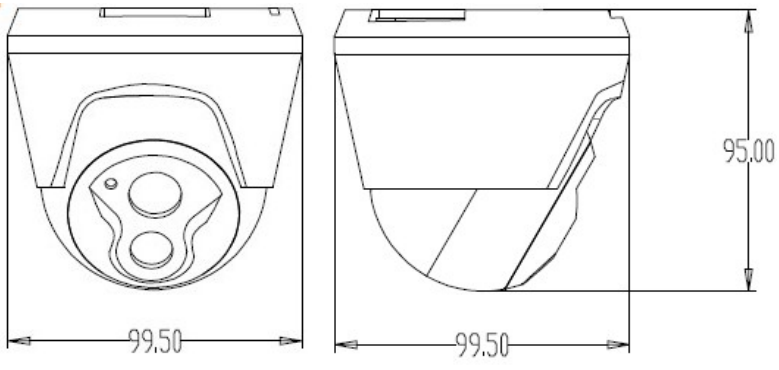
- ◆ Plastic Array IR Dome Camera
- ◆ 25/30fps@1080P(TVI) Color Camera
- ◆ 1/4" 1.0 Megapixel CMOS Sensor
- ◆ 1 pcs* Array IR-LED, IR Range 20M
- ◆ Built-in 3.6 mm ICR Lens (6mm is Optional)



Specifications

Model Name	CM12208
Image Device	1/4" 1.0 Megapixel CMOS Sensor
CMOS Sensor	SC1042
DSP Device	TP2803
Picture Elements	1280(H)×720(V) , 720P
Min. Illumination	0.1Lux
TV System	PAL/NTSC
Lens Furnished	3.6 mm ICR Lens (6mm is Optional)
Infrared Luminary	1 pcs* Array IR-LED
Illuminate Distance	20 M
Wavelength	850 nm
S/N Ratio	More than 41dB
Electronic Shutter	AUTO/1/50(1/60)-1/100, 000sec
Day/Night	Auto(ICR)/B&W/Color
Sync. System	Internal
Video Output	1 Vp-p / 75 Ohms
Power Supply	DC12V±10%
Operation Temperature	-30℃ ~ +70℃ RH95% Max
Dimension	99.5 x 95 mm
Weight	600g

■ Size Chart



Design and specifications are subject to change without notice.