

# CM12203



## Features

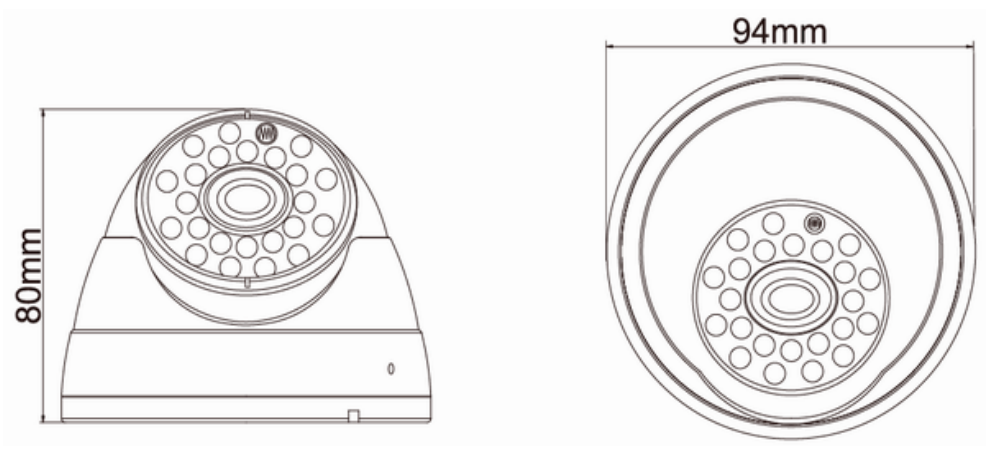
- ◆ Vandalproof IR Dome Camera
- ◆ 25/30fps@1080P(TVI) Color Camera
- ◆ 1/3" SONY 2.0 Megapixel CMOS Sensor
- ◆ 24 pcs  $\phi$  5mm IR-LED, IR Range 20M
- ◆ Built-in 2.8-12mm Manual zoom ICR Lens



## Specifications

Model Name	CM12203
Image Device	1/3" SONY 2.0 Megapixel CMOS Sensor
CMOS Sensor	IMX322
DSP Device	FH8531+TP2801
Picture Elements	1920(H)×1080(V) , 1080P
Min. Illumination	0.01Lux
TV System	PAL/NTSC
Lens Furnished	2.8-12mm Manual zoom ICR Lens
Infrared Luminary	24 pcs $\phi$ 5mm IR-LED
Illuminate Distance	20 M
Wavelength	850 nm
Waterproofing Criterion	IP 66
S/N Ratio	More than 80dB
Electronic Shutter	AUTO/1/50(1/60)-1/100,000sec
Day/Night	Auto(ICR)/B&W/Color
Sync. System	Internal
Video Output	1 Vp-p / 75 Ohms
Power Supply	DC12V±10%
Operation Temperature	-30°C ~ +70°C RH95% Max
Dimension	$\phi$ 94 x 80 mm
Weight	450g

## Size Chart



*Design and specifications are subject to change without notice.*