

CCTV Camera

CM12020



Features

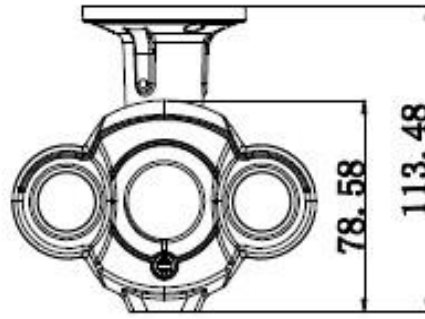
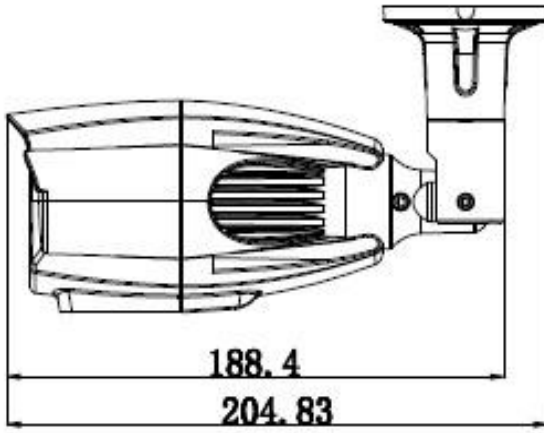
- ◆ Array IR Weatherproof Camera
- ◆ 25/30fps@1080P(TVI) Color Camera
- ◆ 1/4" 1.0 Megapixel CMOS Sensor
- ◆ 2 pcs* Array IR-LED, IR Range 60M
- ◆ 3-Axis Bracket, Hidden Cable Design
- ◆ Built-in 2.8-12mm Manual zoom ICR Lens



Specifications

Model Name	CM12020
Image Device	1/4" 1.0 Megapixel CMOS Sensor
CMOS Sensor	SC1042
DSP Device	TP2803
Picture Elements	1280(H)x720(V) , 720P
Min. Illumination	0.1Lux
TV System	PAL/NTSC
Lens Furnished	2.8-12mm Manual zoom ICR Lens
Infrared Luminary	2 pcs* Array IR-LED
Illuminate Distance	60 M
Wavelength	850 nm
Waterproofing Criterion	IP 66
S/N Ratio	More than 41dB
Electronic Shutter	AUTO/1/50(1/60)-1/100, 000sec
Day/Night	Auto(ICR)/B&W/Color
Sync. System	Internal
Video Output	1 Vp-p / 75 Ohms
Power Supply	DC12V±10%
Operation Temperature	-30°C ~ +70°C RH95% Max
Dimension	204.83 x 113.48 mm
Weight	1200g

■ Size Chart



Design and specifications are subject to change without notice.