

# CCTV Camera

## CM12013



### Features

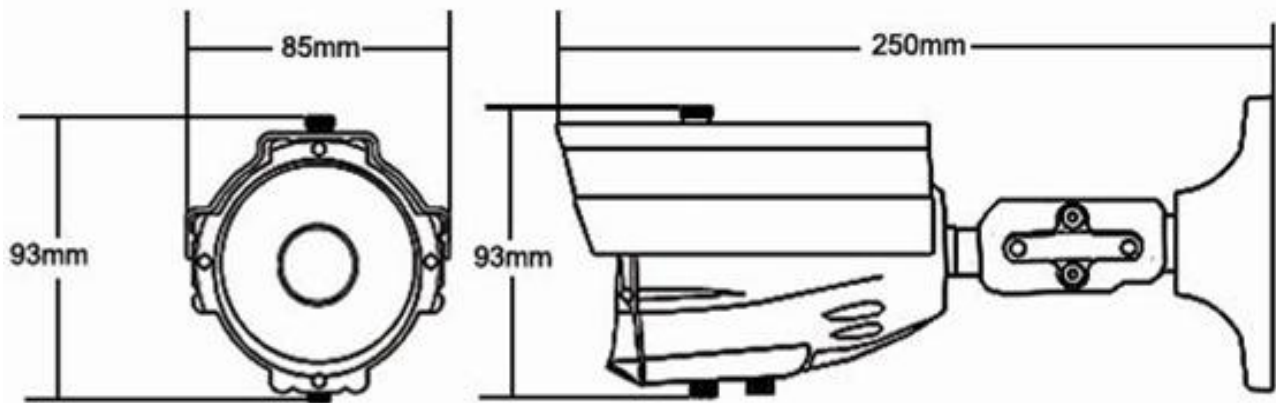
- ◆ Varifocal Weatherproof IR Camera
- ◆ 25/30fps@1080P(TVI) Color Camera
- ◆ 1/4" 1.0 Megapixel CMOS Sensor
- ◆ 42 pcs  $\varnothing$  5mm IR-LED, IR Range 35M
- ◆ Built-in 2.8-12mm Manual zoom ICR Lens



### Specifications

| Model Name              | CM12013                                       |
|-------------------------|---|
| Image Device            | 1/4" 1.0 Megapixel CMOS Sensor                |
| CMOS Sensor             | SC1042  |
| DSP Device              | TP2803  |
| Picture Elements        | 1280(H)x720(V) , 720P                         |
| Min. Illumination       | 0.1Lux  |
| TV System               | PAL/NTSC                                      |
| Lens Furnished          | 2.8-12mm Manual zoom ICR Lens                 |
| Infrared Luminary       | 42 pcs $\varnothing$ 5mm IR-LED               |
| Illuminate Distance     | 35 M  |
| Wavelength              | 850 nm  |
| Waterproofing Criterion | IP 66   |
| S/N Ratio               | More than 41dB                                |
| Electronic Shutter      | AUTO/1/50(1/60)-1/100,000sec                  |
| Day/Night               | Auto(ICR)/B&W/Color                           |
| Sync. System            | Internal                                      |
| Video Output            | 1 Vp-p / 75 Ohms                              |
| Power Supply            | DC12V $\pm$ 10%                               |
| Operation Temperature   | -30 $^{\circ}$ C ~ +70 $^{\circ}$ C RH95% Max |
| Dimension               | 250x93mm                                      |
| Weight                  | 1500g   |

■ Size Chart



*Design and specifications are subject to change without notice.*