

# CCTV Camera

## CM12003



### Features

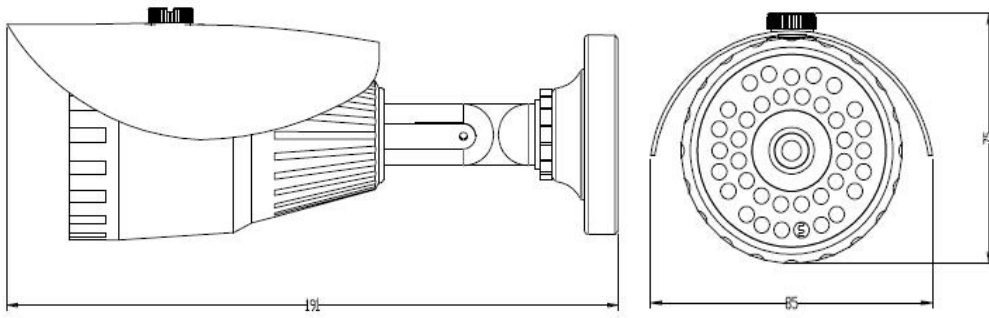
- ◆ Weatherproof IR Camera
- ◆ 25/30fps@1080P(TVI) Color Camera
- ◆ 1/4" 1.0 Megapixel CMOS Sensor
- ◆ 36 pcs  $\varnothing$  5mm IR-LED, IR Range 30M
- ◆ 3-Axis Bracket, Hidden Cable Design
- ◆ Built-in 3.6mm ICR Lens(6mm is Optional)



### Specifications

Model Name	CM12003
Image Device	1/4"1.0 Megapixel CMOS Sensor
CMOS Sensor	SC1042
DSP Device	TP2803
Picture Elements	1280(H) $\times$ 720(V) , 720P
Min. Illumination	0.1Lux
TV System	PAL/NTSC
Lens Furnished	3.6mm ICR Lens(6mm is Optional)
Infrared Luminary	36 pcs $\varnothing$ 5mm IR-LED
Illuminate Distance	30 M
Wavelength	850 nm
Waterproofing Criterion	IP 66
S/N Ratio	More than 41dB
Electronic Shutter	AUTO/1/50(1/60)-1/100, 000sec
Day/Night	Auto(ICR)/B&W/Color
Sync. System	Internal
Video Output	1 Vp-p / 75 Ohms
Power Supply	DC12V $\pm$ 10%
Operation Temperature	-30 $^{\circ}$ C ~ +70 $^{\circ}$ C RH95% Max
Dimension	191 $\times$ 85 $\times$ 75 mm
Weight	750g

■ Size Chart



*Design and specifications are subject to change without notice.*